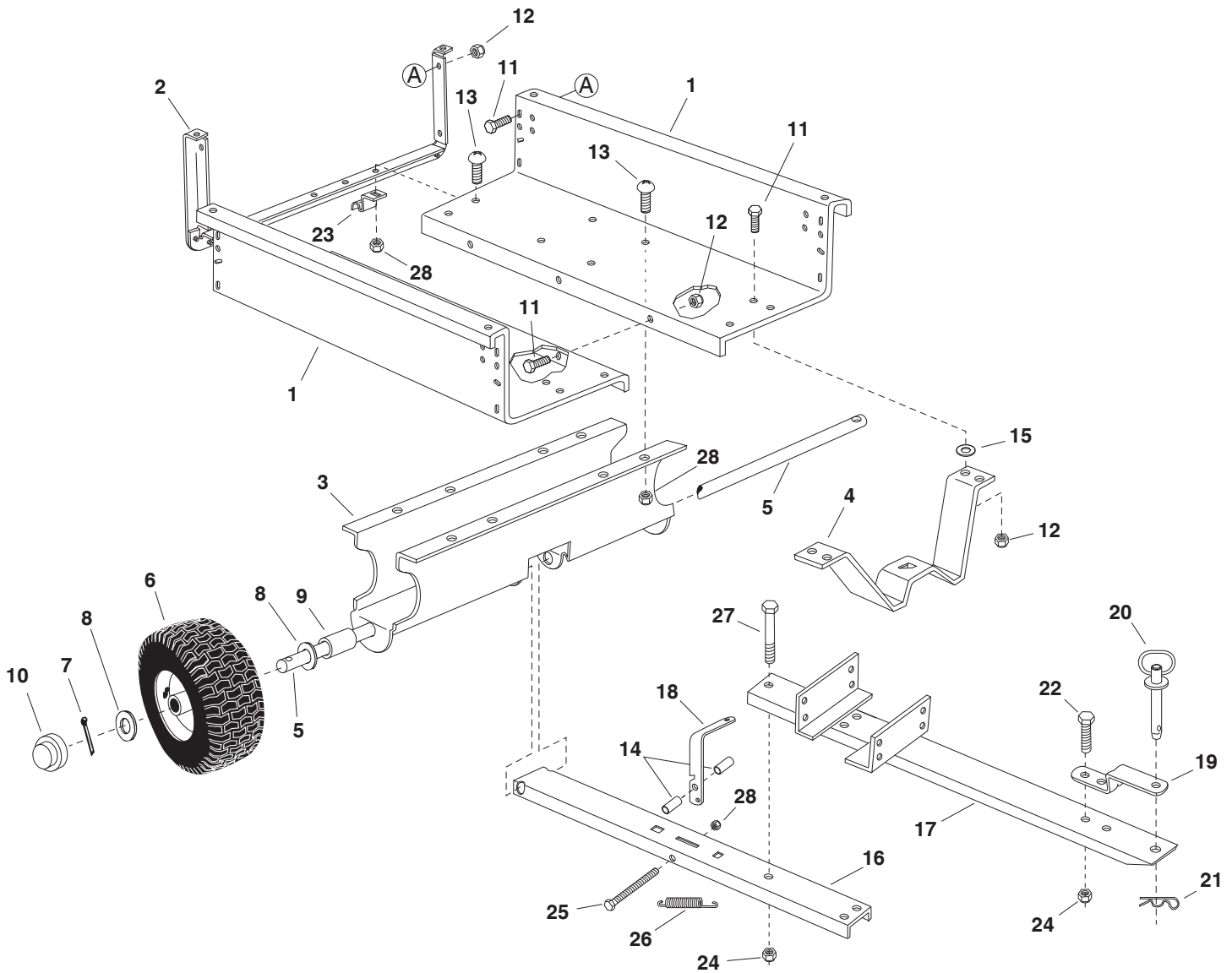


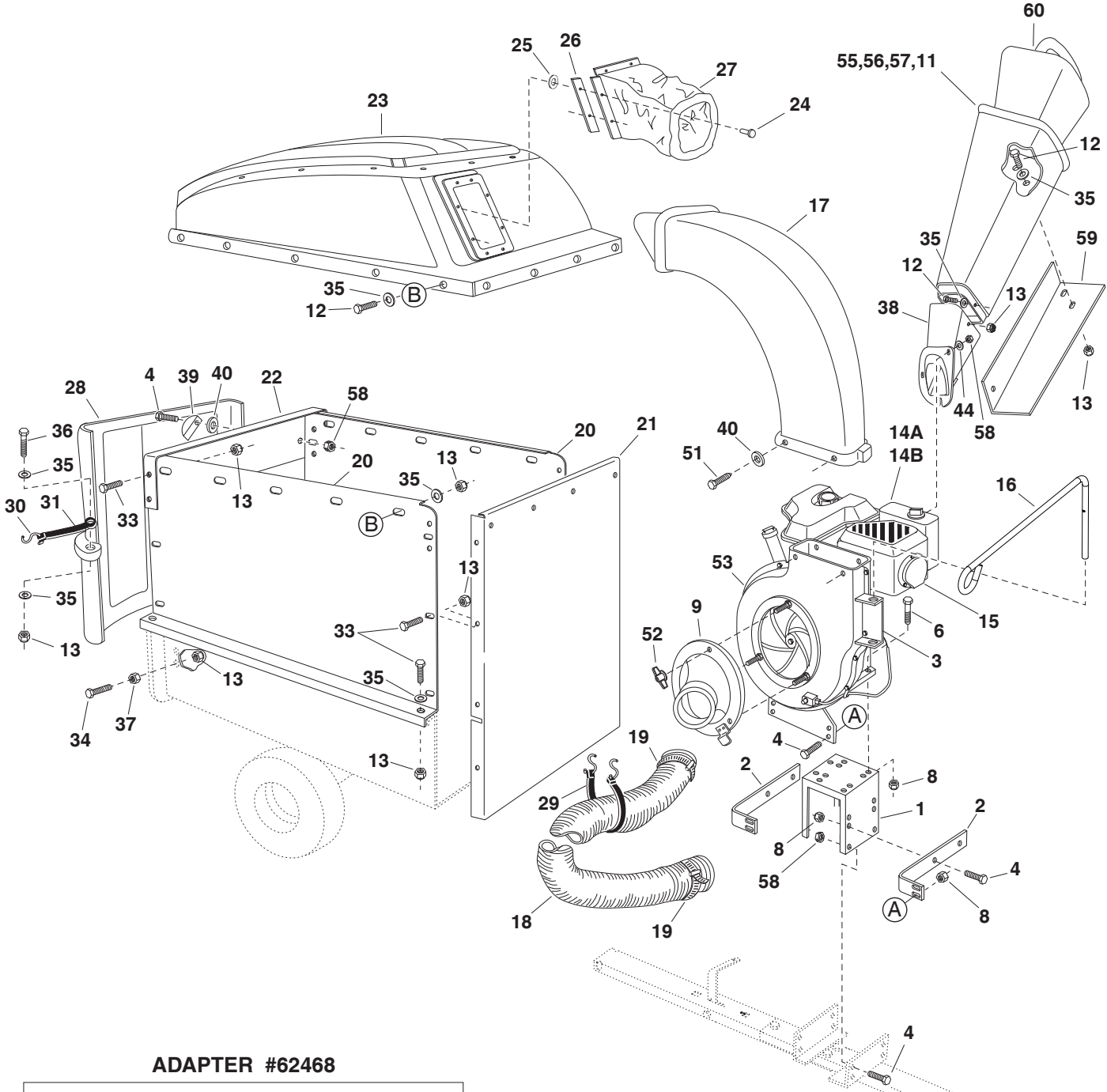
PARTS

REPAIR PARTS FOR MODEL 502492/552493 CART BODY

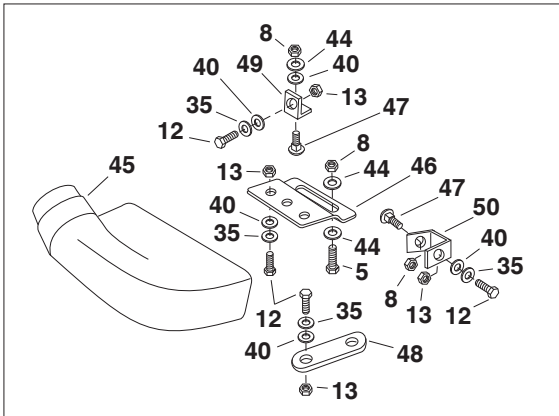


REF. NO.	PART NO.	QTY.	DESCRIPTION	REF. NO.	PART NO.	QTY.	DESCRIPTION
1	23985	2	Cart Body	15	43088	2	Washer, Flat 1/4"
2	62458	1	Tailgate Reinforcement Bracket	16	63917	1	Tongue Weldment Ass'y. (Rear)
3	23507	1	Wheel Support	17	63155	1	Tongue Weldment Ass'y. (Front)
4	24497	1	Latch Stand Bracket	18	24614	1	Latch Lock Lever
5	24897	1	Axle, Wheel 1" Dia.	19	23475	1	Hitch Bracket
6	46272	2	Wheel w/Tire, 15 x 6.00	20	43884	1	Hitch Pin
7	43093	2	Cotter Pin, 1/8" Dia. x 1-1/2"	21	43343	1	Pin, Hair Cotter 1/8"
8	43601	4	Washer, Flat 1"	22	43087	2	Hex Bolt, 3/8-16 x 1-1/4"
9	44678	2	Spacer Tube, 1-1/4" x 2" Lg.	23	23838	2	Door Support
10	43014	2	Hub Cap	24	HA21362	5	Nylock Nut, 3/8-16
11	43866	9	Hex Bolt, 1/4-20 x 5/8"	25	47407	1	Hex Bolt, 5/16-18 x 3-3/4"
12	47189	9	Nylock Nut, 1/4-20	26	47408	1	Spring, Extension
13	43814	12	Truss Hd. Bolt, 5/16-18 x 3/4"	27	43574	3	Hex Bolt, 3/8-16 x 3"
14	41076	2	Spacer	28	47810	13	Nylock Nut, 5/16-18

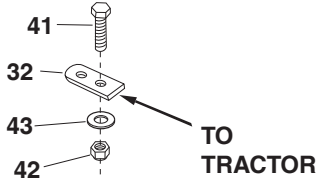
REPAIR PARTS FOR MODEL 502492/552493 CHIP-N-VAC



ADAPTER #62468



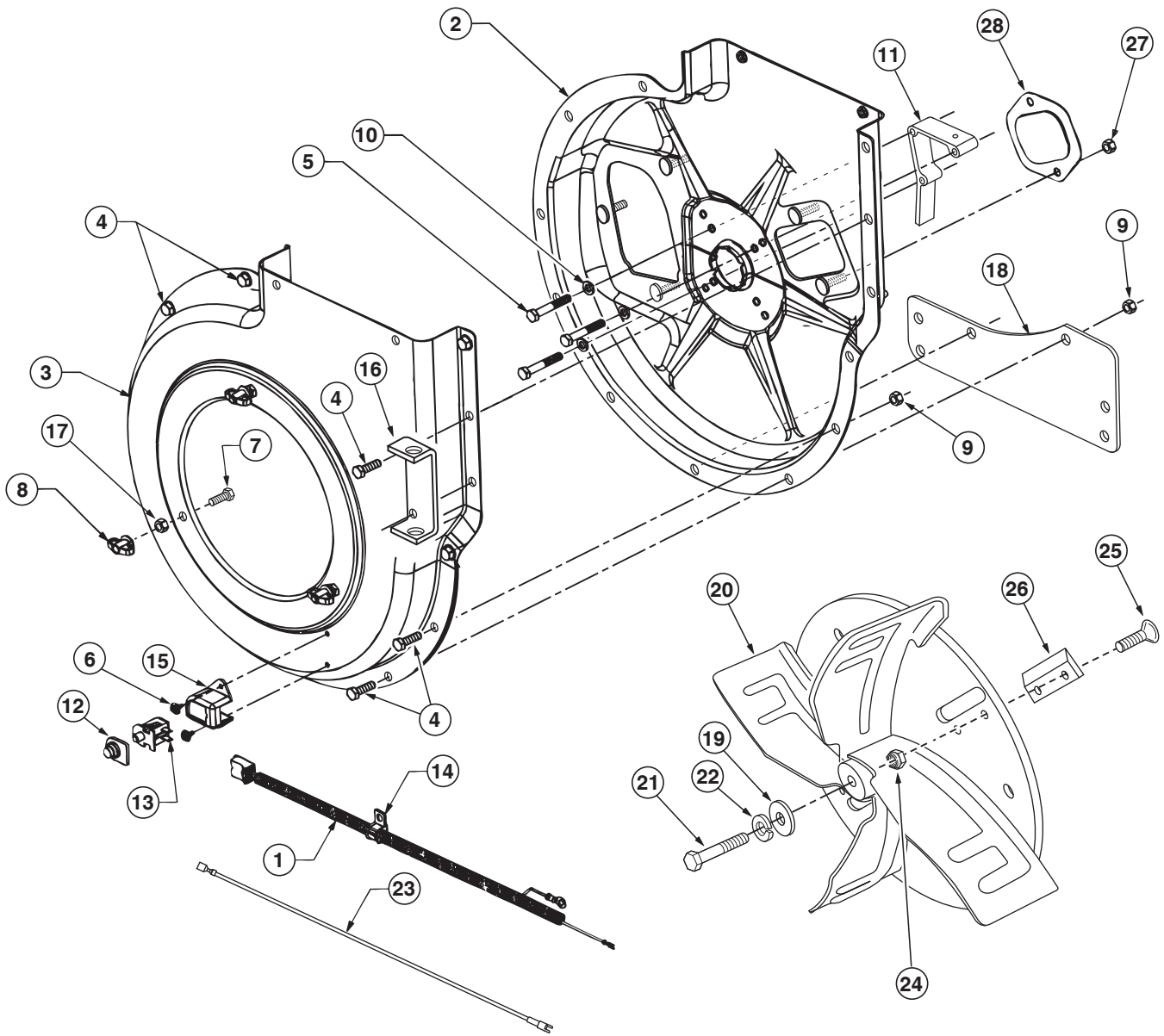
54



REPAIR PARTS FOR MODEL 502492/552493 CHIP-N-VAC

REF. NO.	PART NO.	QTY.	DESCRIPTION	REF. NO.	PART NO.	QTY.	DESCRIPTION
1	24080	1	Engine Base	32	23540	1	Hitch Plate
2	24078	2	Brace, Housing	33	43866	20	Bolt, Hex 1/4-20 x 5/8"
3	24958	1	Hose Hanger Bracket	34	43661	2	Bolt, Hex 1/4-20 x 1"
4	43182	14	Bolt, Hex 5/16-18 x 3/4"	35	43088	44	Washer, 1/4" STD
5	43063	2	Bolt, Hex 5/16-18 x 1"	36	1509-90	2	Bolt, Hex 1/4-20 x 1-1/4"
6	43085	4	Bolt, Hex 5/16-18 x 1-1/2"	37	47189	2	Nut, Nylock 1/4-20
8	47810	15	Nut, Nylock 5/16-18	38	681-0068	1	Chute Assembly
9	43791	1	Hose Adapter (Nozzle)	39	23789	2	Door Latch
12	43012	23	Bolt, Hex 1/4-20 x 3/4"	40	1543-69	9	Washer, Nylon 21/64"
13	47189	46	Nut, Nylock 1/4-20	41	43351	1	Bolt, Hex 1/2-13 x 1-1/4"
14A	7520155481	1	Engine, Tecumseh (for 502492 model only)	42	712-3083	1	Nut, Nylock 1/2-13
14B	40995	1	Engine, Briggs (for 552493 model only)	43	43352	1	Washer, Flat 7/16"
15	24097	1	Deflector, Muffler	44	43081	15	Washer, 5/16" STD
16	49974	1	Hose Hanger Rod	45	43830	1	Adapter, Deck
17	46420	1	Elbow	46	23560	1	Bracket, Deck Adapter
18	43792	1	Hose (6" x 84")	47	43080	2	Bolt, Carr. 5/16" x 3/4"
19	43793	2	Hose Clamp 6"	48	23825	1	Mounting Strap
20	24678	2	Side Panel Cart Extension	49	23826	1	Angle Bracket
21	24679	1	Front Panel Cart Extension	50	23827	1	Mounting Bracket
22	23836	1	Cross Brace	51	47630	4	Screw, Self Tap 5/16-18 x 3/4"
23	64244	1	Hard Top Assembly (Includes 24,25,26,27)	52	712-0421	3	Knob (See also Item #8, Page 24)
24	43882	4	Rivet, 3/16"	53		1	Impeller Housing Assembly (See page 24)
25	43910	4	Washer, Flat 3/16"	54	62468	1	Deck Adapter Kit (Includes parts in box on page 22)
26	24798	4	Boot Mounting Strap	55	63376	1	Assembly, Chute, Chipper (Upper)
27	48133	1	Vinyl Boot (Hardtop)	56	735-0249	1	Flap, Chute (Included in item 55)
28	44790	1	Poly Rear Door	57	781-0633	1	Strap, Flap (Included in item 55)
29	43790	1	Strap, Tarp 25"	58	47810	9	Nut, Nylock 5/16-18
30	44849	2	"S" Hook, #32	59	24098	1	Bracket, Chute Reinforcement
31	44850	2	Strap, Tarp (Less Hooks)	60	731-1617	1	Tamper, Plug
					40772	1	Owner's Manual

REPAIR PARTS FOR MODEL 502492/552493 CHIP-N-VAC IMPELLER HOUSING ASSEMBLY



REF. NO.	PART NO.	QTY.	DESCRIPTION	REF. NO.	PART NO.	QTY.	DESCRIPTION
1	629-0241A	1	Harness, Wire	15	731-1613	1	Cover, Switch
2	63993	1	Housing Ass'y. Inner	16	24958	1	Hose Hanger Bracket
3	24633	1	Housing Ass'y. Outer	17	46584	3	Nut, Whizlock 5/16-18 Thd.
4	43182	12	Bolt, Hex 5/16-18 x 3/4"	18	24606	1	Spacer, Housing
5	710-0772	4	Bolt, Hex 5/16-24 x 2"	19	736-0247	1	Flat Washer, 13/32" x 1-1/4"
6	710-1268	2	Screw, Self Tap #10-16 x 3/8"	20	63924	1	Impeller Assembly
7	43063	3	Bolt, Hex 5/16-18 x 1"	21	710-1273	1	Bolt, Hex 3/8-24 x 2-3/4"
8	712-0421	3	Knob	22	43003	1	Lockwasher, 3/8"
9	47810	12	Nut, Hex Nylock 5/16-18	23	629-0923	1	Harness Adapter
10	43086	4	Washer, Lock 5/16" Spring Type	24	44738	4	Nut, Hex Lock 5/16-24 "Unitork"
11	719-0330A	1	Adapter, Mounting	25	710-1054	4	Screw, Flat Hd. 5/16-24 x 1"
12	725-1700	1	Cover, Switch	26	742-0544	2	Blade, Chipper
13	725-3166	1	Snap Mount Switch	27	47810	2	Nut, Nylock 5/16-18
14	726-0272	1	Clamp	28	781-0627	1	Cover, Chipper